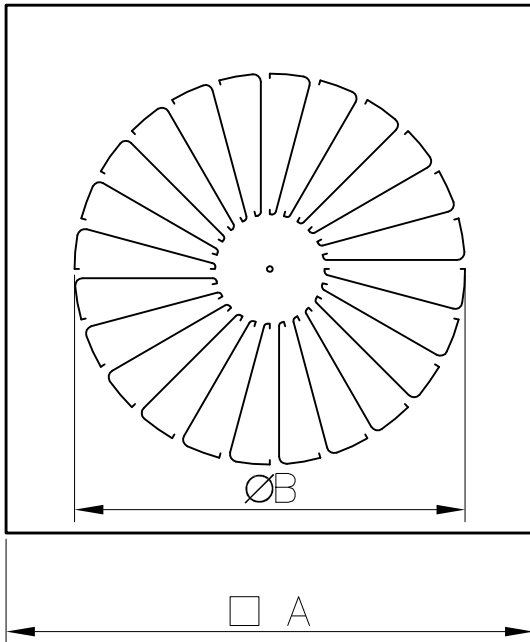


Nawiewnik NSC2K dla SRFC I /II



PRZYKŁADOWE OZNACZENIE:

NSC2K - 445 / RAL

Typ nawiewnika —
Wymiary nawiewnika —
Kolor wg. RAL (standard RAL9016) —

| Typ nawiewniki | A [mm] | B [mm] | masa [kg] | Typ skrzynki | Pef [m ²] | Max.wydatek powietrza [m ³ /h] | Klasa filtracji | Wef [m/s] |
|----------------|--------|--------|-----------|-----------------------------------|-----------------------|---|-----------------|-----------|
| NSC2K 445 | 445 | 307 | 1,68 | SRFC I / SRFC II 305 x 305 x 78/G | 0,049 | 300 | H13 | 1,72 |
| | | | | SRFC I / SRFC II 305 x 305 x 80/Z | | 275 | H14 | 1,58 |
| | | | | SRFC I / SRFC II 305x305x150/G | | 400 | H13 | 2,27 |
| | | | | | | 360 | H14 | 2,06 |
| NSC2K 600 | 600 | 429 | 3,04 | SRFC I / SRFC II 457 x 457 x 78/G | 0,095 | 675 | H13 | 1,97 |
| | | | | SRFC I / SRFC II 457 x 457 x 80/Z | | 615 | H14 | 1,79 |
| | | | | SRFC I / SRFC II 457x457x150/G | | 900 | H13 | 2,63 |
| | | | | | | 810 | H14 | 2,37 |
| NSC2K 685 | 685 | 507 | 3,92 | SRFC I / SRFC II 545x545x78/G | 0,133 | 960 | H13 | 2,00 |
| | | | | SRFC I / SRFC II 545x545x80/Z | | 875 | H14 | 1,83 |
| | | | | SRFC I / SRFC II 545x545x150/G | | 1280 | H13 | 2,67 |
| | | | | | | 1150 | H14 | 2,40 |
| NSC2K 715 | 715 | 560 | 4,24 | SRFC I / SRFC II 575x575x78/G | 0,162 | 1065 | H13 | 1,83 |
| | | | | SRFC I / SRFC II 575x575x80/Z | | 980 | H14 | 1,68 |
| | | | | SRFC I / SRFC II 575x575x150/G | | 1425 | H13 | 2,44 |
| | | | | | | 1280 | H14 | 2,19 |
| NSC2K 750 | 750 | 601 | 4,72 | SRFC I / SRFC II 610x610x78/G | 0,183 | 1200 | H13 | 1,82 |
| | | | | SRFC I / SRFC II 610x610x80/Z | | 1100 | H14 | 1,67 |
| | | | | SRFC I / SRFC II 610x610x150/G | | 1600 | H13 | 2,43 |
| | | | | | | 1440 | H14 | 2,18 |